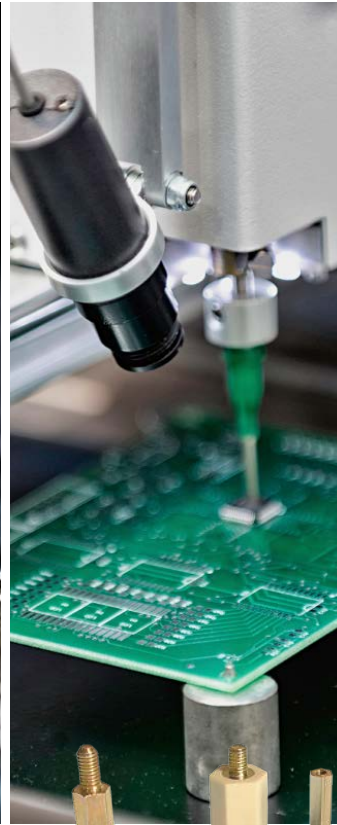
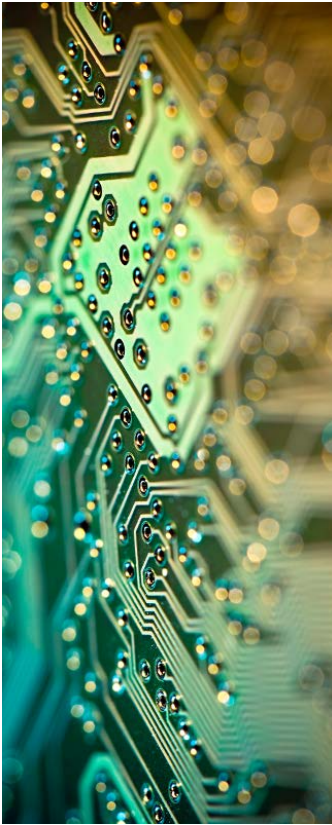


Spacers, Pillars and Stand-offs



An Altra Industrial Motion Company

Huco Dynatork

Huco Engineering Industries Ltd.
Merchant Drive, Hertford, SG13 7BL UK
Tel: +44 (0)1992 501900
Fax: +44 (0)1992 509890

Web: www.huco.com
Email: sales@huco.com

Contents

Stand-offs

Brass	Electroplated Nickel	5
Polystyrene	Colour	5
	Service Temperature	5

Spacers - Round

Acetal	Colour	5
	Service Temperature	5

Spacers - Hexagonal

Mild Steel	Electro-zinc plated	6
Brass	Electro-nickel plated	6
Nylon	Glass reinforced	6
	Service Temperature	6
	Colour	6

Pillars

Mild Steel	Electro-zinc plated	7
Brass	Electro-nickel plated	8
Nylon	Glass reinforced	8
	Service Temperature	8
	Colour	8
Nylon	Service Temperature	8
	Colour	9
Studs/Bushes	RPN/RUN - Brass self colour	9
	HMN/HEN - Brass Ni plated	9
Studs	Mild Steel - Electro-zinc plated	10
	Bushes - Brass self colour	10
	Electrical properties	10

'Klip-Loc' Pillars

Nylon	Colour	11
--------------	--------	----

Connector Screw Locks

Mild Steel	Electro-zinc plated	12
Brass	Electro-nickel plated	12

Quality Spacers and Pillars from a Reliable Source

- Comprehensive range of products available for next day delivery by 1st class post or courier
- All products of EC origin
- Ability to source and manufacture non-standard products in a range of materials
- Quantity discounts from 300 pieces apply to standard products
- Standard pack size 100
- Stainless steel available to special order
- RoHS and REACH

Spacers, Pillars and Stand-offs

Stand-offs

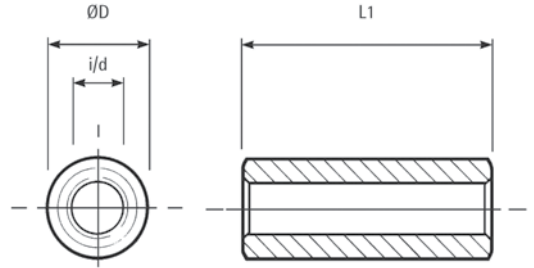
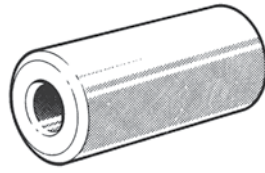
Materials and Finishes

Brass:

- Electro-nickel plated

Polystyrene:

- Colour - natural
- Service temp: -40°C to +80° C



Brass Stand-offs · Round

Reference	i/d	ØD	L1 Standard Lengths (mm)																					
			01	02	03	04	05	06	07	08	10	-	-	-	-	-	-	-	-	-	-			
RCL.2240	2.2	4.0	01	02	03	04	05	06	07	08	10	-	-	-	-	-	-	-	-	-	-			
RCL.2550	2.5	5.0	01	02	03	04	05	06	07	08	10	12	14	15	-	-	-	-	-	-	-			
RCL.3260	3.2	6.0	01	02	03	04	05	06	07	08	10	12	14	15	18	20	25	30	35	40	-	-	-	-
RCL.4380	4.3	8.0	01	02	03	04	05	06	07	08	10	12	14	15	18	20	25	30	35	40	-	-	-	-
RCL.5310	5.3	10.0	01	02	03	04	05	06	07	08	10	12	14	15	18	20	25	30	35	40	-	-	-	-

Polystyrene Stand-offs · Round

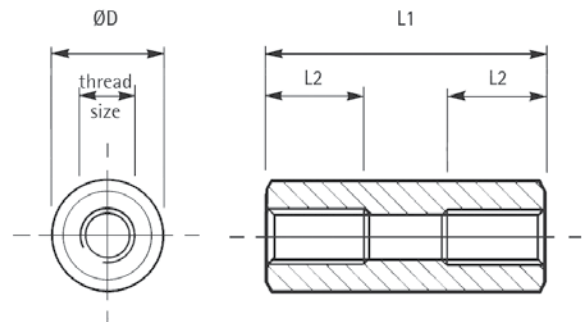
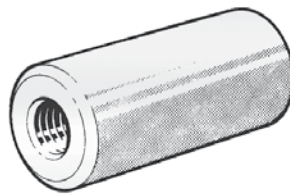
Reference	i/d	ØD	L1 Standard Lengths (mm)																					
			-	02	03	04	05	06	-	08	10	12	-	15	18	20	-	-	-	-	-	-		
RCP.2240	2.2	4.0	-	02	03	04	05	06	-	08	10	12	-	15	18	20	-	-	-	-	-	-	-	-
RCP.3560	3.5	6.0	-	02	03	04	05	06	-	08	10	12	-	15	18	20	25	30	-	-	-	-	-	-
RCP.4380	4.3	8.0	-	02	03	04	05	06	-	08	10	12	-	15	18	20	25	30	-	-	-	-	-	-
RCP.5310	5.3	10.0	-	02	03	04	05	06	-	08	10	12	-	15	18	20	25	-	-	-	-	-	-	-

Spacers - Round

Materials and Finishes

Acetal:

- Colour - natural
- Service temp: -40°C to +80° C



Acetal Spacers · Round

Reference	Thread	ØD	L1 Standard Lengths (mm)																						
								05	08	10	12	15	18	19	20	25	30	35	40	50	60	-	-	-	
RTA.3060	M3	06							05	08	10	12	15	18	19	20	25	30	35	40	50	60	-	-	-
RTA.4080	M4	08							05	08	10	12	15	18	-	20	25	30	35	40	50	60	-	-	-
			L2					TAPPED THROUGH					8mm			10mm									

Spacers, Pillars and Stand-offs

Spacers - Hexagonal

Materials and Finishes

Mild Steel:

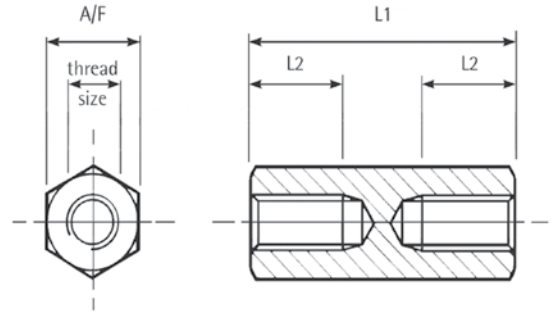
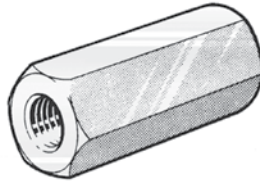
- Electro-zinc plated

Brass:

- Electro-nickel plated

Nylon:

- Glass reinforced
- Max Service Temp: 110° C
- Colour - Black



Mild Steel Spacers · Hexagonal

*Other lengths available subject to minimum order quantities.
Further details and part references supplied on application.

Reference	Thread	A/F	L1 Standard Lengths (mm)																					
			-	-	-	05	08	10	11	12	15	18	20	25	30	35	40	45	50	60	-	-	-	-
HTA.3050	M3	5.0	-	-	-	05	08	10	11	12	15	18	20	25	30	35	40	45	50	60	-	-	-	-
HTA.4070	M4	7.0	-	-	-	05	08	10	11	12	15	18	20	25	30	35	40	45	50	60	70	-	-	-
HTA.5080	M5	8.0	-	-	-	05	08	10	11	12	15	18	20	25	30	35	40	45	50	60	70	-	-	-
HTA.6010	M6	10.0	-	-	-	05	08	10	11	12	15	18	20	25	30	35	40	45	50	60	70	-	-	-
HTA.8013	M8	13.0	-	-	-	-	-	-	-	-	15	18	20	25	30	35	40	45	50	60	70	80	90	100
			L2		TAPPED THROUGH								M3, M4 & M5 = 10mm M6 =12mm M8 =15mm											

Brass Spacers · Hexagonal

Reference	Thread	A/F	L1 Standard Lengths (mm)																					
			-	-	-	05	08	10	11	12	15	16	18	20	25	30	-	-	-	-	-	-	-	-
HTL.2040	M2	4.0	-	-	-	05	08	10	11	12	15	16	18	20	25	30	-	-	-	-	-	-	-	-
HTL.2550	M2.5	5.0	-	-	-	05	08	10	11	12	15	16	18	20	25	30	-	-	-	-	-	-	-	-
			L2		TAPPED THROUGH								8mm											

Reference	Thread	A/F	L1 Standard Lengths (mm)																					
			-	-	05	06	08	10	11	12	13	14	15	16	18	20	25	30	35	40	45	50	60	-
HTL.3050	M3	5.0	-	-	05	06	08	10	11	12	13	14	15	16	18	20	25	30	35	40	45	50	60	-
HTL.3055	M3	5.5	-	-	05	06	08	10	11	12	13	14	15	16	18	20	25	30	35	40	45	50	60	-
HTL.4070	M4	7.0	-	-	05	06	08	10	11	12	13	14	15	16	18	20	25	30	35	40	45	50	60	70
HTL.5080	M5	8.0	-	-	05	06	08	10	11	12	13	14	15	16	18	20	25	30	35	40	45	50	60	70
			L2		TAPPED THROUGH								10mm											

Nylon Spacers · Hexagonal

Reference	Thread	A/F	L1 Standard Lengths (mm)																					
			-	-	-	06	08	10	12	15	18	20	25	30	35	-	-	-	-	-	-	-	-	-
HTN.2550	M2.5	5.0	-	-	-	06	08	10	12	15	18	20	25	30	35	-	-	-	-	-	-	-	-	-
HTN.3060	M3	6.0	-	-	-	06	08	10	12	15	18	20	25	30	35	-	-	-	-	-	-	-	-	-
HTN.4080	M4	8.0	-	-	-	06	08	10	12	15	18	20	25	30	35	40	-	-	-	-	-	-	-	-
HTN.5010	M5	10.0	-	-	-	-	-	10	12	15	18	20	25	30	35	40	-	-	-	-	-	-	-	-
HTN.6010	M6	10.0	-	-	-	-	-	10	12	15	18	20	25	30	35	40	-	-	-	-	-	-	-	-
			L2		TAPPED THROUGH								10mm											

Spacers, Pillars and Stand-offs

Pillars

Materials and Finishes

Mild Steel:

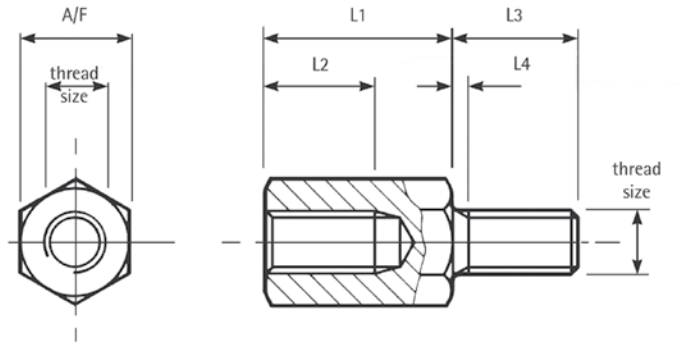
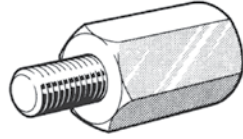
- Electro-zinc plated

Brass:

- Electro-nickel plated

Nylon:

- Glass reinforced
- Max Service Temp: 110° C
- Colour - Black



Mild Steel Pillars

Reference	Thread	A/F	L4	L1 Standard Lengths (mm)																					
HSA.3050	M3	5.0	1.0	-	-	05	06	08	10	12	15	16	18	20	25	30	35	40	45	50	60	-	-	-	-
HSA.4070	M4	7.0	1.4	-	-	-	-	08	10	12	15	16	18	20	25	30	35	40	45	50	60	-	-	-	-
HSA.5080	M5	8.0	1.6	-	-	-	-	-	10	12	15	16	18	20	25	30	35	40	45	50	65	70	-	-	-
				L2	-	03	03	04	06	08	08	08	08	08	10	10	10	10	10	10	10	10	-	-	-
				L3	-	08	08	08	08	08	08	08	08	08	10	10	10	10	10	10	10	10	-	-	-

Reference	Thread	A/F	L4	L1 Standard Lengths (mm)																					
HSA.6010	M6	10.0	2.0	-	-	-	-	10	12	15	18	20	25	30	35	40	45	50	60	70	80	90	-	-	-
				L2	-	-	-	06	08	08	12	12	13	13	13	13	13	13	13	13	13	13	-	-	-
				L3	-	-	-	12	12	12	12	12	12	12	12	12	12	12	12	12	12	12	-	-	-

Reference	Thread	A/F	L4	L1 Standard Lengths (mm)																					
HSA.8013	M8	13.0	2.5	-	-	-	-	-	-	15	18	20	25	30	35	40	45	50	45	60	70	80	90	100	120
				L2	-	-	-	-	-	08	12	12	15	15	15	15	15	15	15	15	15	15	15	15	15
				L3	-	-	-	-	-	14	14	14	14	14	14	14	14	14	14	14	14	14	14	14	14

Spacers, Pillars and Stand-offs

Brass Pillars

Reference	Thread	A/F	L4	L1 Standard Lengths (mm)																					
HSL.2040	M2	4.0	0.8	-	-	05	06	08	10	11	12	14	16	18	20	25	30	-	-	-	-	-	-	-	-
HSL.2550	M2.5	5.0	0.9	-	-	05	06	08	10	11	12	14	16	18	20	25	30	-	-	-	-	-	-	-	-
				L2	-	03	03	04	06	06	06	06	06	06	06	06	06	-	-	-	-	-	-	-	-
				L3	-	06	06	06	06	06	06	06	06	06	06	06	06	-	-	-	-	-	-	-	-

Reference	Thread	A/F	L4	L1 Standard Lengths (mm)																									
HSL.3050	M3	5.0	1.0	-	-	05	06	07	08	09	10	11	12	14	15	16	18	20	25	30	35	40	50	60	-				
HSL.4070	M4	7.0	1.4	-	-	-	-	-	08	09	10	11	12	14	15	16	18	20	25	30	35	40	50	60	-				
HSL.5080	M5	8.0	1.6	-	-	-	-	-	-	-	10	11	12	14	15	16	18	20	25	30	35	40	50	60	-				
				L2	-	03	03	06	08	08	08	08	08	08	08	08	08	08	10	10	10	10	10	10	10				
				L3	-	08	08	08	08	08	08	08	08	08	08	08	08	08	10	10	10	10	10	10	10				

Nylon Pillars

Reference	Thread	A/F	L1 Standard Lengths (mm)																									
HSN.3060	M3	6.0	-	-	-	-	-	10	12	15	18	20	25	30	35	40	45	50	-	-	-	-	-	-	-			
HSN.4080	M4	8.0	-	-	-	-	-	10	12	15	18	20	25	30	35	40	45	50	-	-	-	-	-	-	-			
HSN.5010	M5	10.0	-	-	-	-	-	10	12	15	18	20	25	30	35	40	45	50	-	-	-	-	-	-	-			
			L2	-	-	-	-	07	09	10	10	10	10	10	10	10	10	10	-	-	-	-	-	-	-			
			L3	-	-	-	-	08	08	08	08	08	08	08	08	08	08	08	-	-	-	-	-	-	-			

Pillars

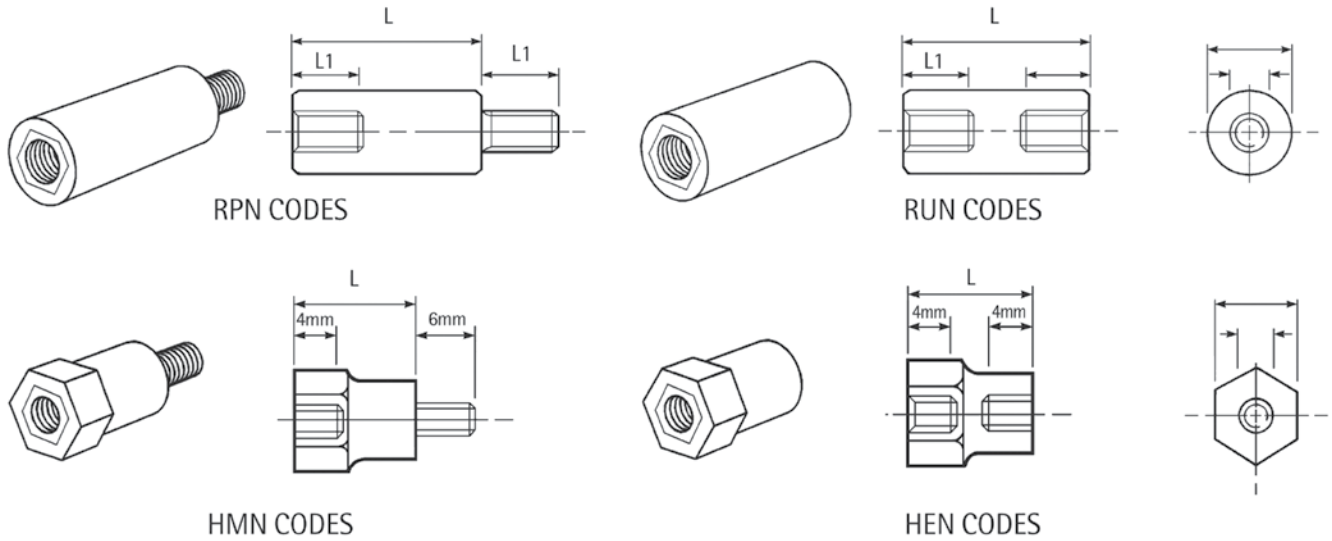
Materials and Finishes

Nylon:

- Max Service Temp: 85° C
- Colour - White

Studs/Bushes:

- RPN/RUN - Brass self-colour
- HMN/HEN - Brass Ni plated



Nylon Spacers Pillar · Round

Reference	Thread	ØD	L1	L1 Standard Lengths (mm)							
RUN.3080	M3	8.0	6.0	15	20	25	30	35	40	45	50
RUN.4080	M4	8.0	6.0	15	20	25	30	35	40	45	50
RUN.5090	M5	9.5	10.0	-	-	25	30	35	40	45	50
RUN.6012	M6	12.7	12.7	-	-	25	30	35	40	45	50

Reference	Thread	ØD	L1	L1 Standard Lengths (mm)							
RPN.3080	M3	8.0	6.0	15	20	25	30	35	40	45	50
RPN.4080	M4	8.0	6.0	15	20	25	30	35	40	45	50
RPN.5090	M5	9.5	10.0	-	-	25	30	35	40	45	50
RPN.6012	M6	12.7	12.7	-	-	25	30	35	40	45	50

Nylon Micro-Pillars · Hexagonal

Reference	Thread	AF	L1 Standard Lengths (mm)					
HEN.2560	M2.5	6.0	07	08	09	10	11	12
HEN.3070	M3	7.0	-	-	09	10	11	12

Reference	Thread	AF	L1 Standard Lengths (mm)					
HMN.2560	M2.5	-	-	-	09	10	11	12
HMN.3070	M3	-	-	-	09	10	11	12

Spacers, Pillars and Stand-offs

Pillars

A quality range of insulating pillars in BP5400 High Heat / Super Impact Premium polystyrene, light grey in colour, ranging from 10mm to 120mm in length.

Materials and Finishes

Studs:

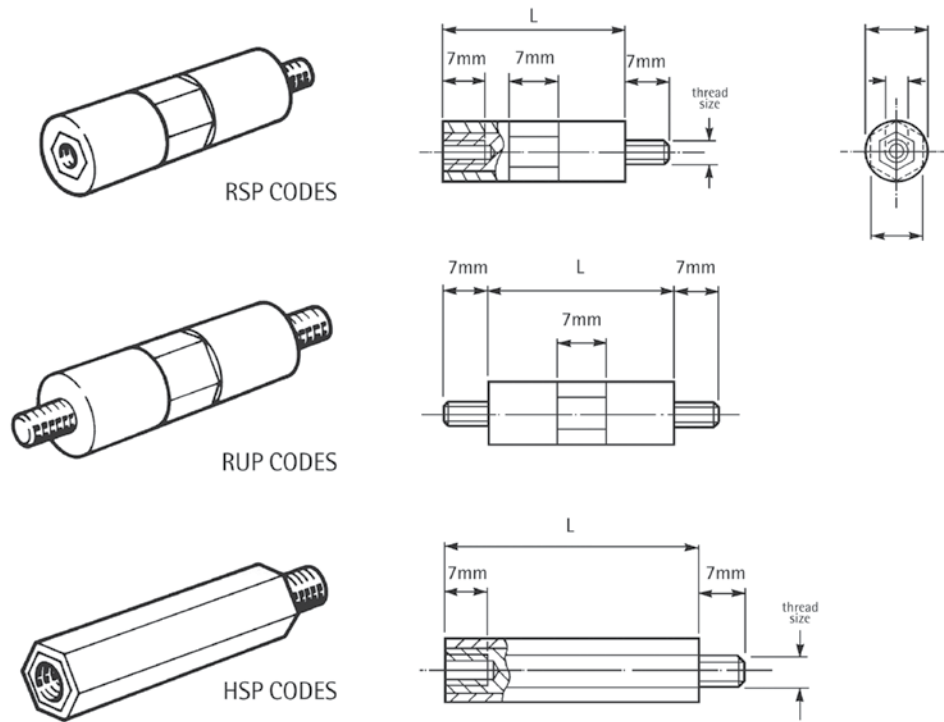
- Mild steel: Electro-zinc plated
- Colour - White

Bushes:

- Brass self-colour

Electrical Properties:

- Dissipation factor: IEC 250 4.10-4
- Insulation resistance: 10-13m.ohm
- Dielectric constant: IEC 250.25
- Dielectric strength: DIN 5348-1150 kV/mm
- Max service temp: 70°C



Polystyrene Pillars

Reference	Thread	ØD	A/F	L1 Standard Lengths (mm)																				
				-	-	-	-	-	15	20	25	30	40	-	55	-	-	-	-	-	-	-	-	
RSP.3070	M3	7.0	6.0	-	-	-	-	-	15	20	25	30	40	-	55	-	-	-	-	-	-	-		
RSP.4010	M4	10.0	9.0	-	-	-	-	10	15	20	25	30	40	-	55	60	-	-	-	90	-	-	-	
RUP.3070	M3	7.0	6.0	-	-	-	-	-	15	20	25	30	40	-	55	-	-	-	-	-	-	-	-	
HSP.5013	M5	-	13.0	-	-	-	-	-	15	20	-	30	-	-	55	-	70	-	85	-	-	-	-	
HSP.6013	M6	-	13.0	-	-	-	-	-	15	20	-	30	-	45	-	-	70	-	-	-	-	-	120	-

'Klip-Loc' Pillars

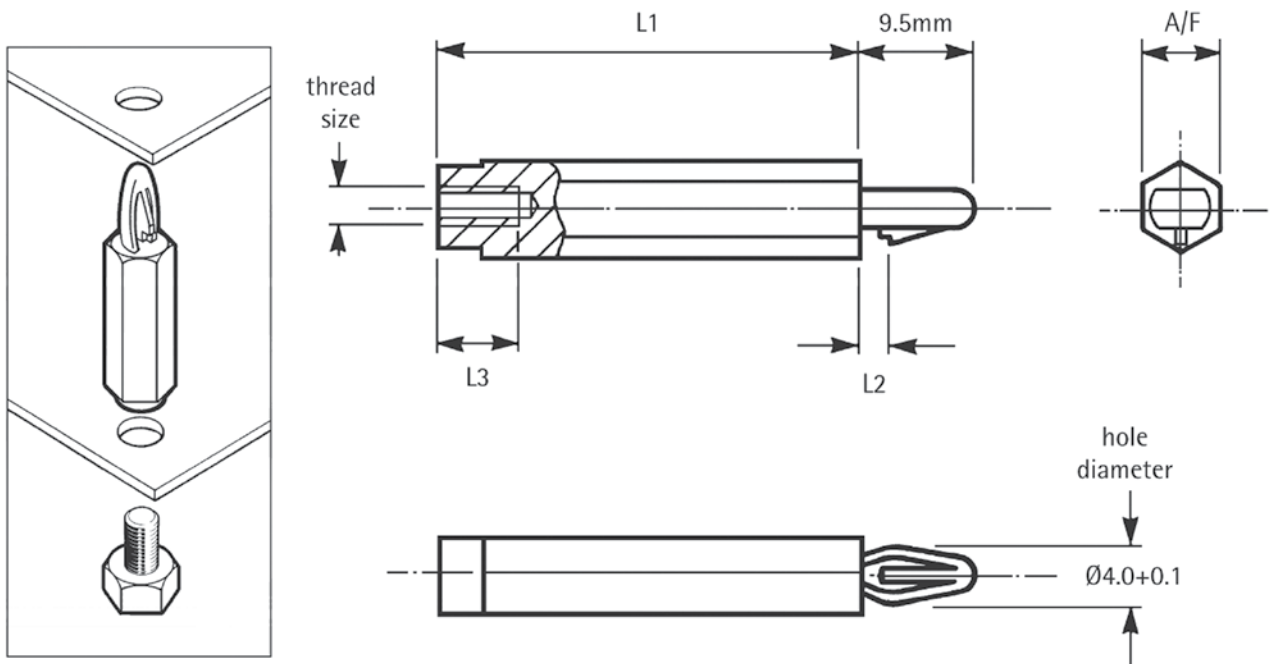
A range of screw mounted printed circuit board support pillars with Klip-Loc feature, allowing boards to be easily attached and removed.

Materials and Finishes

Nylon

- Colour - Black

Other lengths available to order, subject to minimum order quantities.



Klip-Loc Pillars

Reference	Thread	A/F	L2	L1 Standard Lengths (mm)																				
HKN.3060	M3	6.0	2.1	-	-	-	-	06	08	10	12	15	18	20	25	30	35	40	50	-	-	-	-	-
HKN.3080	M3	8.0	1.8	-	-	-	-	06	08	10	12	15	18	20	25	30	35	40	50	-	-	-	-	-
HKN.4080	M4	8.0	1.8	-	-	-	-	06	08	10	12	15	18	20	25	30	35	40	50	-	-	-	-	-
				L3	-	-	-	3.0	4.0	5.0	6.0	7.5	9.0	10.0	10.0	10.0	10.0	10.0	10.0	-	-	-	-	-

Spacers, Pillars and Stand-offs

Connector Screw Locks

Any combination of M3 and 4NC can be specified for stud and tapped hole threads.

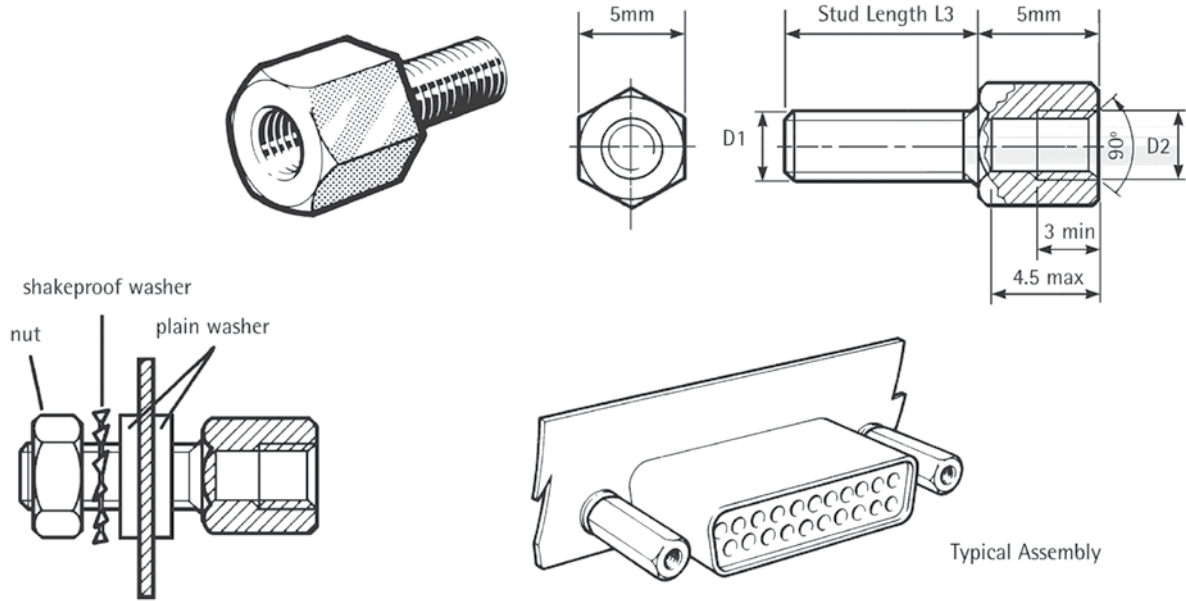
Materials and Finishes

Mild Steel

- Electro-zinc plated

Brass

- Electro-nickel plated



*Nuts and washers not supplied.

Brass · Nickel Plated Connector Screw Locks

Stud Thread D1	Internal Thread D2	Stud Length L3mm	Order Code	Stud Length L3mm	Order Code	Stud Length L3mm	Order Code
M3	M3	6	HSL.06.M3.M3	8	HSL.08.M3.M3	12	HSL.12.M3.M3
4NC	M3	6	HSL.06.4NC.M3	8	HSL.08.4NC.M3	12	HSL.12.4NC.M3
M3	4NC	6	HSL.06.M3.4NC	8	HSL.08.M3.4NC	12	HSL.12.M3.4NC
4NC	4NC	6	HSL.06.4NC.4NC	8	HSL.08.4NC.4NC	12	HSL.12.4NC.4NC

Steel · Zinc Plated Connector Screw Locks

Stud Thread D1	Internal Thread D2	Stud Length L3mm	Order Code	Stud Length L3mm	Order Code	Stud Length L3mm	Order Code
M3	M3	6	HSA.06.M3.M3	8	HSA.08.M3.M3	12	HSA.12.M3.M3
4NC	M3	6	HSA.06.4NC.M3	8	HSA.08.4NC.M3	12	HSA.12.4NC.M3
M3	4NC	6	HSA.06.M3.4NC	8	HSA.08.M3.4NC	12	HSA.12.M3.4NC
4NC	4NC	6	HSA.06.4NC.4NC	8	HSA.08.4NC.4NC	12	HSA.12.4NC.4NC

The Power Of One, The Strength Of Many.

OTHER PRODUCT SOLUTIONS FROM ALTRA INDUSTRIAL MOTION

WWW.ALTRAMOTION.COM

Our comprehensive product offerings include various types of clutches and brakes, overrunning clutches, engineered bearing assemblies, gearing and gear motors along with linear products, belted drives, couplings and limit switches. With thousands of product solutions available, Altra provides true single source convenience while meeting specific customer requirements. Many major OEMs and end users prefer Altra products as their No. 1 choice for performance and reliability.



ELECTRIC CLUTCHES AND BRAKES

Inertia Dynamics
Matrix
Stromag
Warner Electric



HEAVY DUTY CLUTCHES AND BRAKES

Industrial Clutch
Stromag
Svendborg Brakes
Twiflex Limited
Wichita Clutch



OVERRUNNING CLUTCHES

Formsprag Clutch
Marland Clutch
Stieber Clutch



ENGINEERED COUPLINGS AND UNIVERSAL JOINTS

Ameridrives
Bibby Turboflex
Guardian Couplings
Huco
Lamiflex Couplings
Stromag
TB Wood's



GEAR DRIVES

Bauer Gear Motor
Boston Gear
Delroyd Worm Gear
Nuttall Gear



GEAR MOTORS

Bauer Gear Motor



POWER TRANSMISSION COMPONENTS

LINER ACTUATORS AND CONTROLS

Warner Linear



ENGINEERED BEARING ASSEMBLIES

Kilian



AIR MOTORS

Huco



BELTED DRIVES AND SHEAVES

TB Wood's



GEARED CAM LIMIT SWITCHES

Stromag

All Customer Service phone numbers shown in bold

Belted Drives and Sheaves

TB Wood's

Belted Drives
Chambersburg, PA - USA
1-888-829-6637 – Press #5

For application assistance:
1-888-829-6637 – Press #7

Couplings

Ameridrives Couplings

Mill Spindles, Ameriflex, Amerisc

Erie, PA - USA
1-814-480-5000

Gear Couplings

San Marcos, TX - USA
1-800-458-0887

Ameridrives Power Transmission

Universal Joints, Drive Shafts, Mill Gear Couplings

Green Bay, WI - USA
1-920-593-2444

Bibby Turboflex

Disc, Gear, Grid Couplings, Overload Clutches

Dewsbury, England
+44 (0) 1924 460801

Boksburg, South Africa
+27(0) 11 918 4270

Guardian Couplings

Engineered Flywheel Couplings, Engine Housings and Pump Mounts, Flexible Shaft Couplings

Michigan City, IN - USA
1-219-874-5248

Huco Dynatork

Precision Couplings and Air Motors

Hertford, England
+44 (0) 1992 501900

Chambersburg, PA - USA
1-888-829-6637

Couplings Cont.

Lamiflex Couplings

Flexible Couplings, Bearing Isolators, and Coupling Guards

Cotia, SP - Brasil
+55 (11) 4615-6300

TB Wood's

Elastomeric Couplings

Chambersburg, PA - USA
1-888-829-6637 – Press #5

For application assistance:
1-888-829-6637 – Press #7

General Purpose Disc Couplings

San Marcos, TX - USA
1-888-449-9439

Electromagnetic Clutches and Brakes

Inertia Dynamics

Spring Set Brakes; Power On and Wrap Spring Clutch/Brakes

New Hartford, CT - USA
1-800-800-6445

Matrix International

Electromagnetic Clutches and Brakes, Pressure Operated Clutches and Brakes

Brechin, Scotland
+44 (0) 1356 602000

New Hartford, CT - USA
1-800-825-6544

Warner Electric

Electromagnetic Clutches and Brakes

New Hartford, CT - USA
1-800-825-6544

For application assistance:
1-800-825-9050

Saint Barthélemy d'Anjou, France
+33 (0)2 41 21 24 24

Precision Electric Coils and Electromagnetic Clutches and Brakes

Columbia City, IN - USA
1-260-244-6183

Engineered Bearing Assemblies

Kilian Manufacturing

Engineered Bearing Assemblies

Syracuse, NY - USA
1-315-432-0700

Gearing

Bauer Gear Motor

Gearred Motors

Esslingen, Germany
+49 (711) 3518-0

Somerset, NJ - USA
1-732-469-8770

Boston Gear

Enclosed and Open Gearing, Electrical and Mechanical P.T. Components

Charlotte, NC - USA
1-800-825-6544

For application assistance:
1-800-816-5608

Nuttall Gear and Delroyd Worm Gear

Worm Gear and Helical Speed Reducers

Niagara Falls, NY - USA
1-716-298-4100

Heavy Duty Clutches and Brakes

Industrial Clutch

Pneumatic and Oil Immersed Clutches and Brakes

Waukesha, WI - USA
1-262-547-3357

Svendborg Brakes

Industrial Brakes and Brake Systems

Vejstrup, Denmark
+45 63 255 255

Twiflex Limited

Caliper Brakes and Thrusters

Wichita Falls, TX - USA
1-844-723-3483

Twickenham, England
+44 (0) 20 8894 1161

Heavy Duty Clutches and Brakes Cont.

Wichita Clutch

Pneumatic Clutches and Brakes

Wichita Falls, TX - USA
1-800-964-3262

Bedford, England
+44 (0) 1234 350311

Linear Products

Warner Linear

Linear Actuators

Belvidere, IL - USA
1-800-825-6544

For application assistance:
1-800-825-9050

Saint Barthélemy d'Anjou, France
+33 (0)2 41 21 24 24

Overrunning Clutches

Formsprag Clutch

Overrunning Clutches and Holdbacks

Warren, MI - USA
1-800-348-0881 – Press #1

For application assistance:
1-800-348-0881 – Press #2

Marland Clutch

Roller Ramp and Sprag Type Overrunning Clutches and Backstops

South Beloit, IL - USA
1-800-216-3515

Stieber Clutch

Overrunning Clutches and Holdbacks

Heidelberg, Germany
+49 (0) 6221-30470

For information concerning our sales offices in Asia Pacific check our website www.altramotion.com.cn



www.huco.com

Merchant Drive, Hertford
Hertfordshire, SG13 7BL - England
+44 (0)1992 501900
Fax: **+44 (0)1992 509890**