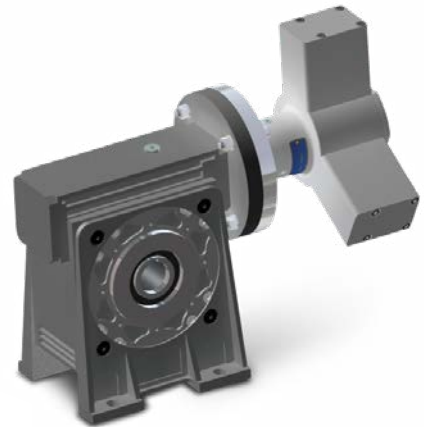


Geared Motors **Worm Gearboxes**

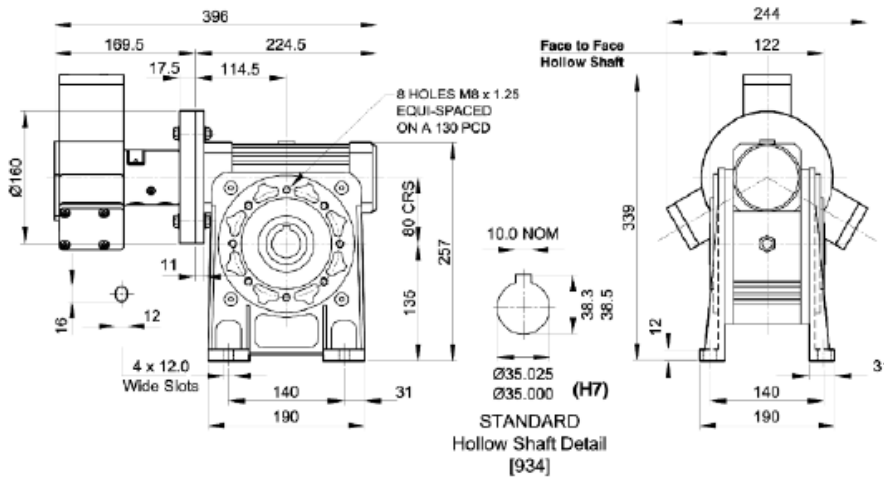
Key Data: Dynatork 7 - 934 • 944 • 954

Motor Ref: (Non-Lube) 934.75 for use with a dry, clean, non-lubricated air supply	Shaft	35
	Output shaft effective length (mm)	60
	Maximum radial shaft load (N)	2.65
	at (L) distance from face (mm)	30
	Max. continuous output torque (Nm)	400
	Weight (kg)	40.35

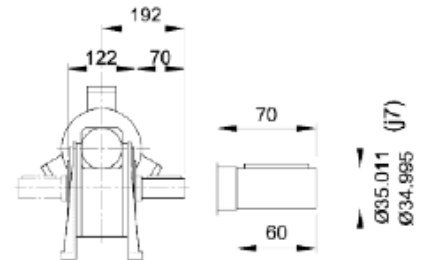
- High strength aluminium worm gearboxes
- Ratios from 7:1 to 100:1
- Output speeds from 1 to 57 rev/min
- Maximum continuous output torque up to 400Nm



934 • 944 • 954 with size 7 motor



944 • 954 shaft options



Speed/Ratio Selection	Ratio Order Ref											
Motor ref: 934.75	01	02	03	04	05	06	07	08	09	10	11	
Ratio:1 rev/min	7	10	15	25	30	40	50	60	70	80	100	
400	•	57	40	27	16	13	10	8	6.67	5.71	5	4
300	•	43	30	20	12	10	7.5	6	5	4.29	3.75	3
200	•	29	20	13	8	7	5	4	3.33	2.86	2.50	2
100	•	14	10	7	4	3	2.5	2	1.67	1.43	1.25	1

	Hollow Shaft	Single Shaft	Double Shaft
Dynatork 3 Non-Lube	934.75	944.75	954.75

HOW TO ORDER

Combine the MOTOR REF. with the RATIO ORDER REF. found in the Speed/Ratio selection table, eg - **934.75.09**

= non lube, hollow shaft version, 70:1 ratio