

Geared Motors Worm Gearboxes

Key Data: Dynatork 1 - 934 • 944 • 954

Motor Ref:

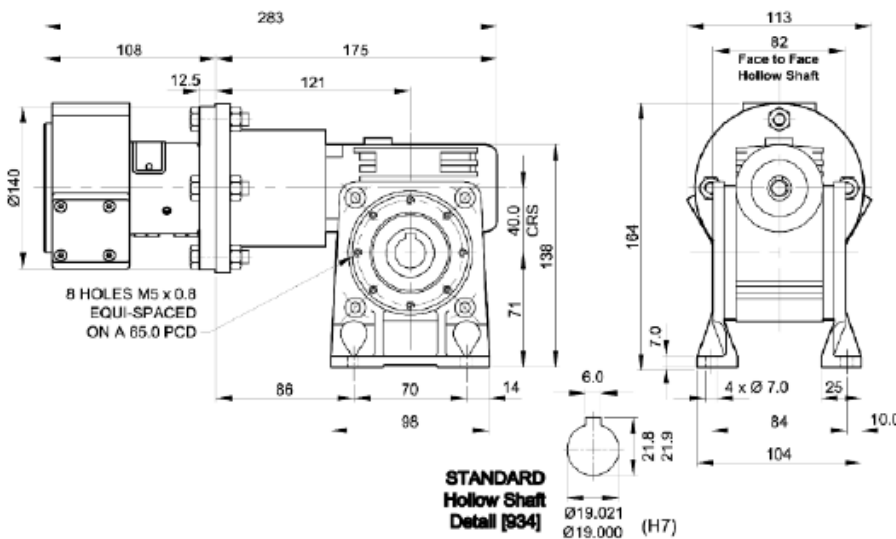
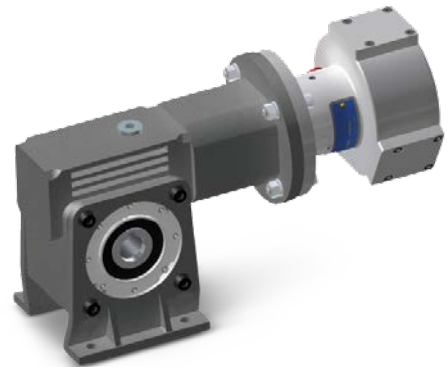
(Non-Lube) 934.15

for use with a dry, clean, non-lubricated air supply

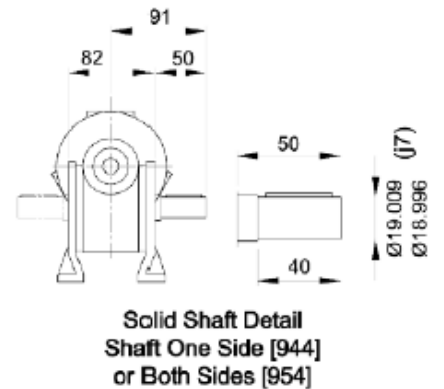
Output shaft diameter (mm)	19
Output shaft effective length (mm)	40
Maximum radial shaft load (kN)	131
at (L) distance from face (mm)	20
Max. continuous output torque (Nm)	40
Weight (kg)	4.35

- High strength aluminium worm gearboxes
- Ratios from 7:1 to 100:1
- Output speeds from 2 to 100 rev/min
- Maximum continuous output torque up to 40Nm

934 • 944 • 954 with size 1 motor



944 • 954 shaft options



Speed/Ratio Selection	Ratio Order Ref											
Motor ref: 934.15	01	02	03	04	05	06	07	08	09	10	11	
Ratio:1 rev/min	7	10	15	25	30	40	50	60	70	80	100	
700	•	100	70	47	28	23	17.5	14	11.67	10	8.75	7
600	•	86	60	40	24	20	15	12	10	8.57	7.5	6
500	•	71	50	33	20	17	12.5	10	8.33	7.14	6.25	5
400	•	57	40	27	16	13	10	8	6.67	5.71	5	4
300	•	43	30	20	12	10	7.5	6	5	4.29	3.75	3
200	•	29	20	13	8	7	5	4	3.33	2.86	2.50	2

	Hollow Shaft	Single Shaft	Double Shaft
Non-Lube	934.15	944.15	954.15

HOW TO ORDER

Combine the MOTOR REF. with the RATIO ORDER REF. found in the Speed/Ratio selection table, eg - **934.15.09**
= non lube, hollow shaft, 70:1 ratio