

Geared Motors Planetary Gearboxes

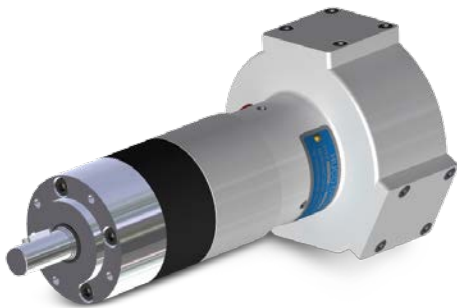
Key Data: Dynatork 1 Aluminium

Motor Ref:

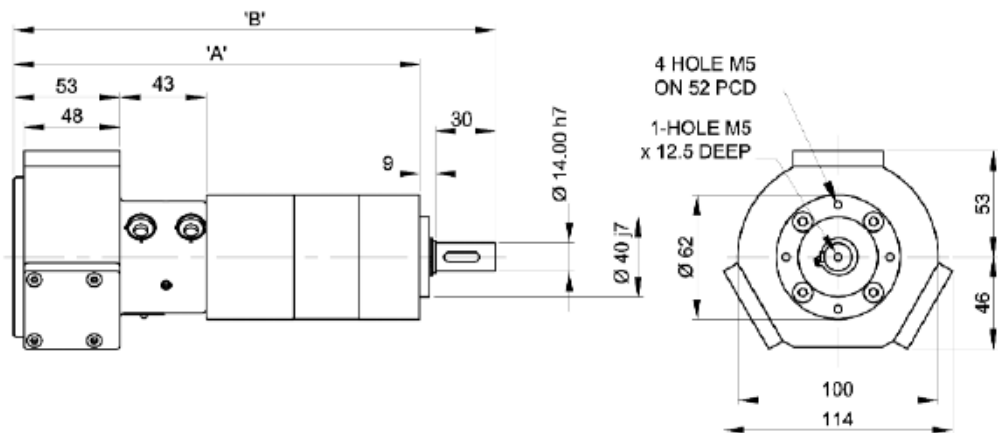
(Non-Lube) 931.15

for use with a dry, clean, non-lubricated air supply

Maximum diameter (mm)	130
Output shaft dia.(mm)	14
Output shaft effective length (mm)	30
Maximum radial shaft load (N)	520
at (L) distance from face (mm)	10
Max. continuous output torque (Nm)	40
Weight 1 stage (kg)	4.87
Weight 2 stage (kg)	5.37
Weight 3 stage (kg)	5.87



- Available with Dynatork 1 and 3 Motors
- Robust, Compact and efficient planetary gear units
- Ratios from 3.7:1 to 308:1
- Output speeds from 0.6 to 162 rev/min
- Maximum continuous output torque for single stage gearboxes is 8Nm, two stage 25Nm and three stage 40 Nm.



Dynatork 1	Dim A	Dim B
1-Stage	185mm	224mm
2-Stage	201mm	240mm
3-Stage	219mm	258mm

Speed/Ratio Selection		Ratio Order Ref											
Motor ref:	931.15	01	02	03	04	05	06	07	08	09	10	11	
Ratio:1		3.7	6.75	13.73	19.2	25	29	46	51	93	169	308	
rev/min													
600	•	162.2	88.9	43.7	31.3	24	20.7	13.0	11.8	6.5	3.6	1.9	
500	•	135.1	74.1	36.4	26.0	20	17.2	10.9	9.8	5.4	3.0	1.6	
400	•	108.1	59.3	29.1	20.8	16	13.8	8.7	7.8	4.3	2.4	1.3	
300	•	81.1	44.4	21.8	15.6	12	10.3	6.5	5.9	3.2	1.8	1.0	
200	•	54.1	29.6	14.6	10.4	8	6.9	4.3	3.9	2.2	1.2	0.6	
		Single Stage			Two Stage				Three Stage				

HOW TO ORDER

Combine the MOTOR REF. with the RATIO ORDER REF. found in the Speed/Ratio selection table, eg - **931.15.09**
= non lube, three stage, 93:1 ratio