

Geared Motors Planetary Gearboxes

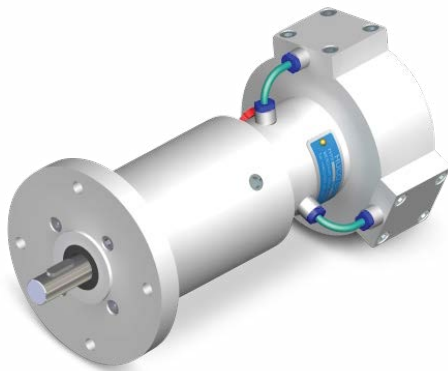
Key Data: Dynatork 1 Acetal

Motor Ref:

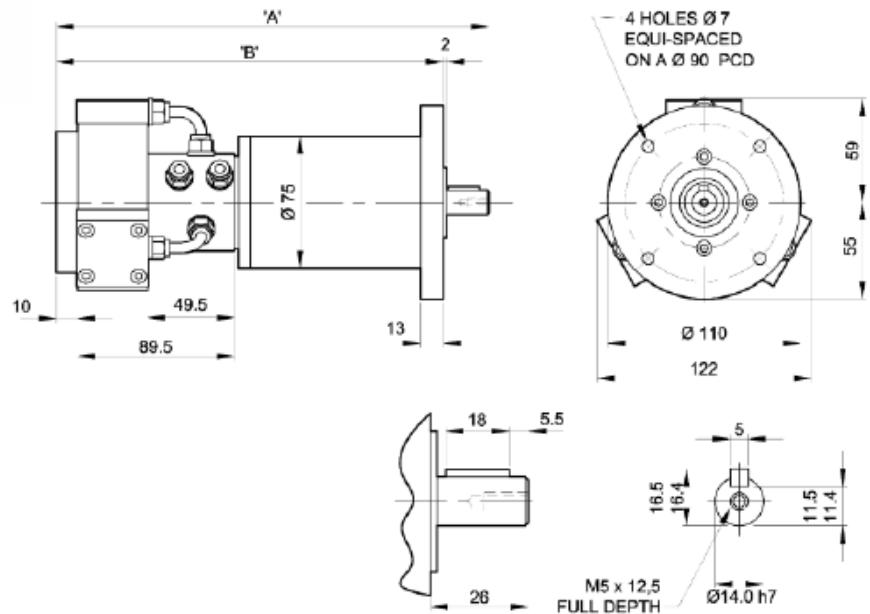
(Non-Lube) 911.15

for use with a dry, clean,
non-lubricated air supply

Maximum diameter (mm)	122
Output shaft dia.(mm)	14
Output shaft effective length (mm)	36
Maximum radial shaft load (N)	520
at (L) distance from face (mm)	10
Max. continuous output torque (Nm)	40
Weight 1 stage (kg)	4.5
Weight 2 stage (kg)	5
Weight 3 stage (kg)	5.5



- Robust, Compact and efficient planetary gear units
- Ratios from 3.7:1 to 308:1
- Output speeds from 0.64 to 162 rev/min
- Maximum continuous output torque for single stage gearboxes is 8Nm, two stage 25Nm and three stage 40Nm.



911.15	Dim A	Dim B
1-Stage	230mm	204mm
2-Stage	245mm	219mm
3-Stage	264mm	238mm

HOW TO ORDER

Combine the MOTOR REF. with the RATIO ORDER REF. found in the Speed/ Ratio selection table, eg - **911.15.09**
= non lube, three stage, 93:1 ratio

Speed/Ratio Selection		Ratio Order Ref										
Motor ref:	911.15	01	02	03	04	05	06	07	08	09	10	11
Ratio:1 rev/min		3.7	6.75	13.73	19.2	25	29	46	51	93	169	308
600	•	162.2	88.9	43.7	31.3	24	20.7	13.0	11.8	6.5	3.6	1.9
500	•	135.1	74.1	36.4	26.0	20	17.2	10.9	9.8	5.4	3.0	1.6
400	•	108.1	59.3	29.1	20.8	16	13.8	8.7	7.8	4.3	2.4	1.3
300	•	81.1	44.4	21.8	15.6	12	10.3	6.5	5.9	3.2	1.8	1.0
200	•	54.1	29.6	14.6	10.4	8	6.9	4.3	3.9	2.2	1.2	0.6
		Single Stage			Two Stage				Three Stage			