

Geared Motors Helical Gearboxes

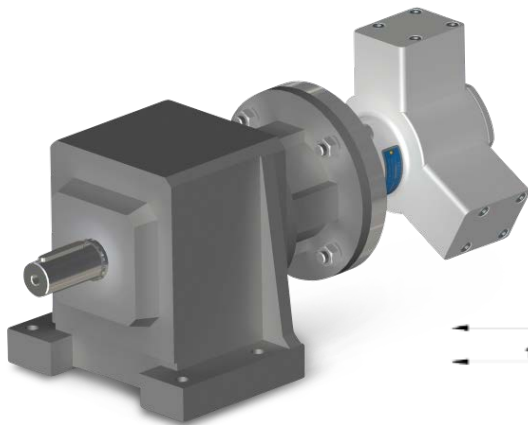
Key Data: Dynatork 3 - 935

Motor Ref:

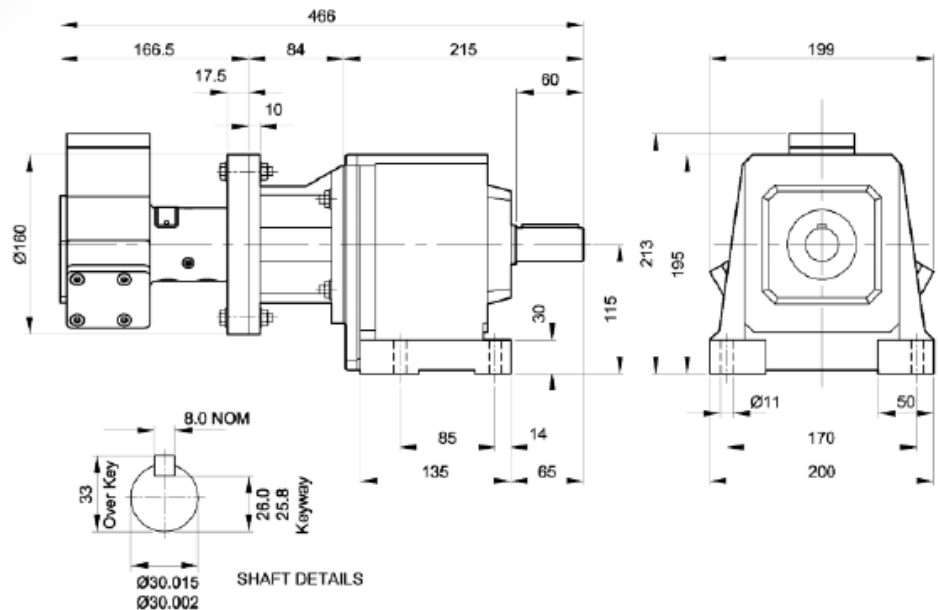
(Non-Lube) 935.35

for use with a dry, clean, non-lubricated air supply

Output shaft diameter (mm)	30
Output shaft effective length (mm)	60
Maximum radial shaft load (kN)	3.0
at (L) distance from face (mm)	30
Max. continuous output torque (Nm)	200
Weight (kg)	33.35



- Helical gears for arduous and continuous running
- Ratios from 4.67:1 to 70.32
- Output speeds from 1.42 to 107.1 rev/min
- Maximum continuous output torque 200Nm



Speed/Ratio Selection	Ratio Order Ref											
Motor ref: 935.35	01	02	03	04	05	06	07	08	09	10	11	
Ratio:1 rev/min	4.67	8.2	10.26	12.3	15.3	20.58	24.64	30.60	40.85	56.42	70.32	
500	•	107.1	61.0	48.7	40.7	32.7	24.3	20.3	16.3	12.2	8.86	7.11
400	•	85.7	48.8	39.0	32.5	26.1	19.4	16.2	13.0	9.8	7.09	5.69
300	•	64.2	36.6	29.2	24	19.61	14.6	12.2	9.8	7.3	5.32	4.27
200	•	42.8	24.4	19.5	16.3	13.1	9.7	8.1	6.5	4.9	3.54	2.84
100	•	21.4	12.2	9.7	8.1	6.5	4.9	4.1	3.3	2.4	1.7	1.42

HOW TO ORDER

Combine the MOTOR REF. with the RATIO ORDER REF. found in the Speed/Ratio selection table, eg - **935.35.06**
= non lube, 20.58:1 ratio