

# Geared Motors Helical Gearboxes

## Key Data: Dynatork 1 - 933

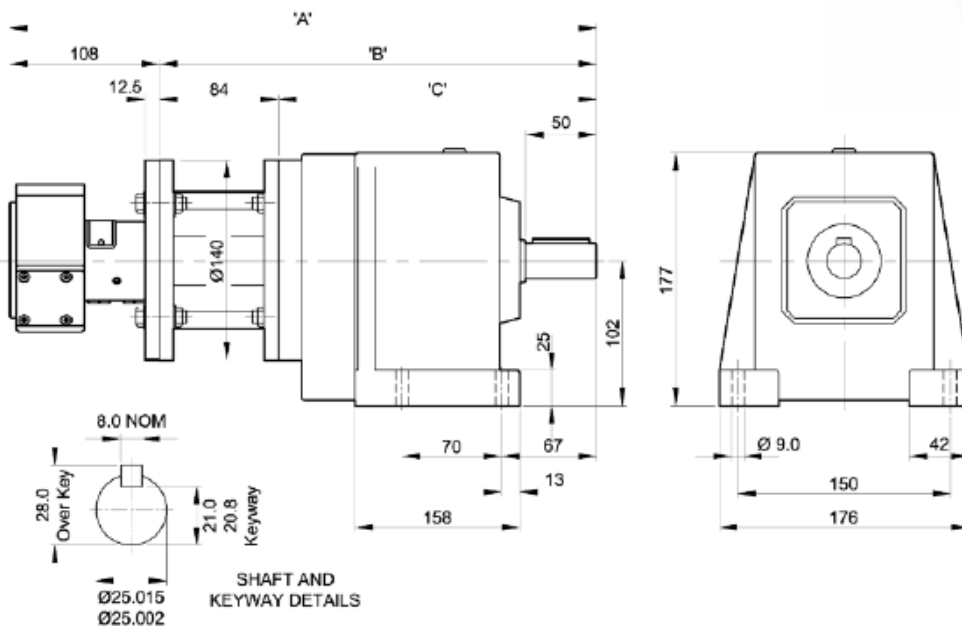
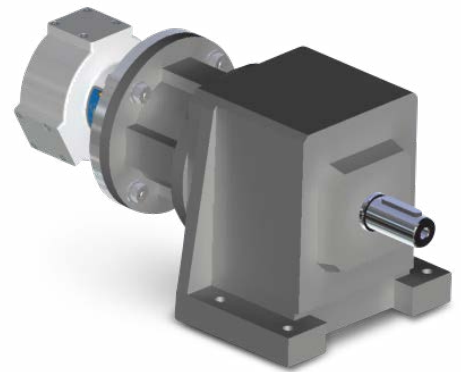
### Motor Ref:

### (Non-Lube) 933.15

for use with a dry, clean, non-lubricated air supply

Output shaft diameter (mm)	20
Output shaft effective length (mm)	40
Maximum radial shaft load (kN)	1.9
at (L) distance from face (mm)	20
Max. continuous output torque (Nm)	60
Weight (kg)	10.35

- Helical gears for arduous and continuous running
- Ratios from 4:1 to 49:1
- Output speeds from 4.1 to 150 rev/min
- Maximum continuous output torque 120Nm



Gearbox Ratio	Dim A	Dim B	Dim C
50:1 to 70:1	379mm	271mm	187mm
82:1 to 276:1	416mm	308mm	224mm

Speed/Ratio Selection		Ratio Order Ref										
Motor ref:	933.15	01	02	03	04	05	06	07	08	09	10	11
Ratio:1 rev/min		50	56	62	70	82	92	111	137	183	221	276
600	•	12	10.7	9.7	8.6	7.3	6.5	5.4	4.4	3.28	2.71	2.17
500	•	10	8.9	8.1	7.1	6.1	5.4	4.5	3.6	2.73	2.26	1.81
400	•	8	7.1	6.5	5.7	4.9	4.3	3.6	2.9	2.18	1.81	1.45
300	•	6	5.36	4.84	4.29	3.66	3.26	2.7	2.19	1.69	1.36	1.09
200	•	4	3.57	3.23	2.86	2.44	2.17	1.8	1.46	1.09	0.90	0.72

### HOW TO ORDER

Combine the MOTOR REF. with the RATIO ORDER REF. found in the Speed/Ratio selection table, eg - **933.15.06**  
= non lube, 92:1 ratio