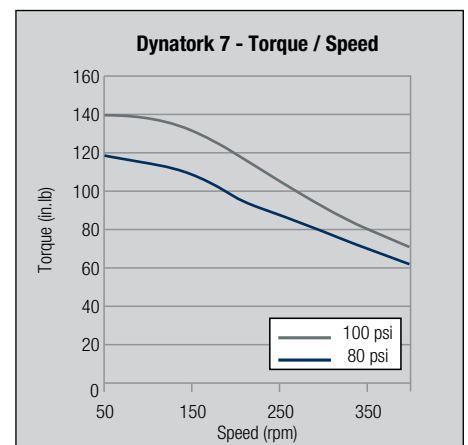
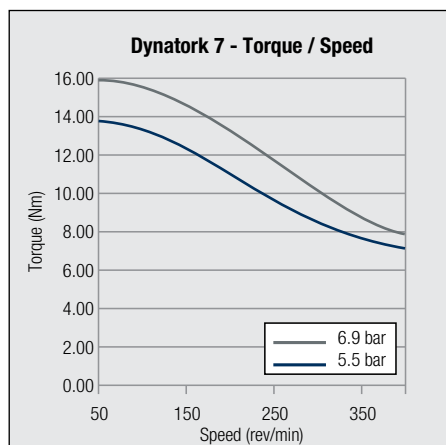
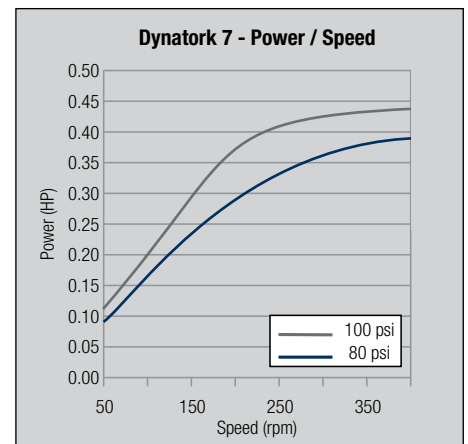
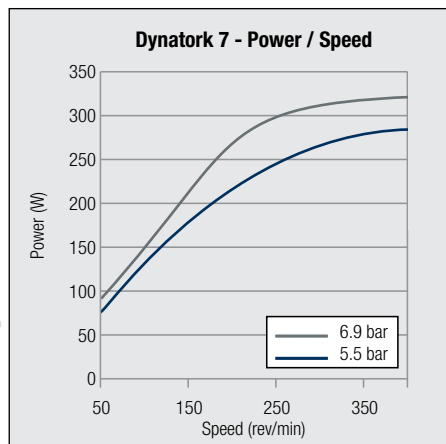


# Dynatork 7 Aluminium

Key Data: Dynatork 7	Metric	Imperial
Speed range	100 - 400 rpm	100 - 400 rpm
Torque at 100 rpm / 6.9 bar (100 psi)	15.7 Nm	139 in.lb
Torque at 400 rpm / 6.9 bar (100 psi)	7.8 Nm	69 in.lb
Max air consumption 400 rpm / 6.9 bar	11.9 m <sup>3</sup> /h	7.0 ft <sup>3</sup> /min
Shaft Diameter	12.7 mm	0.5"
Weight	4.5 kg	10 lb
Ports	1/4" BSP	1/4" BSP

## Performance (metric)

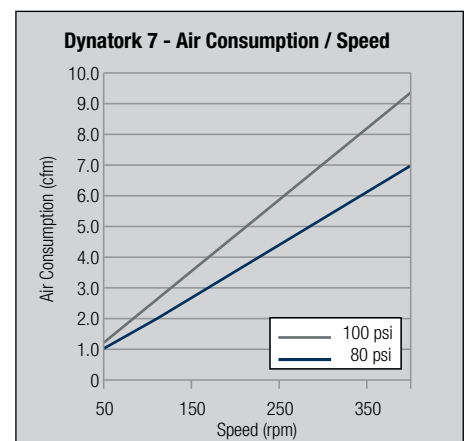
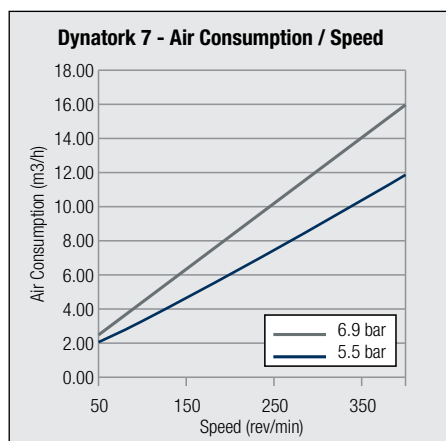
## Performance (imperial)



## Order Codes : Dynatork 7

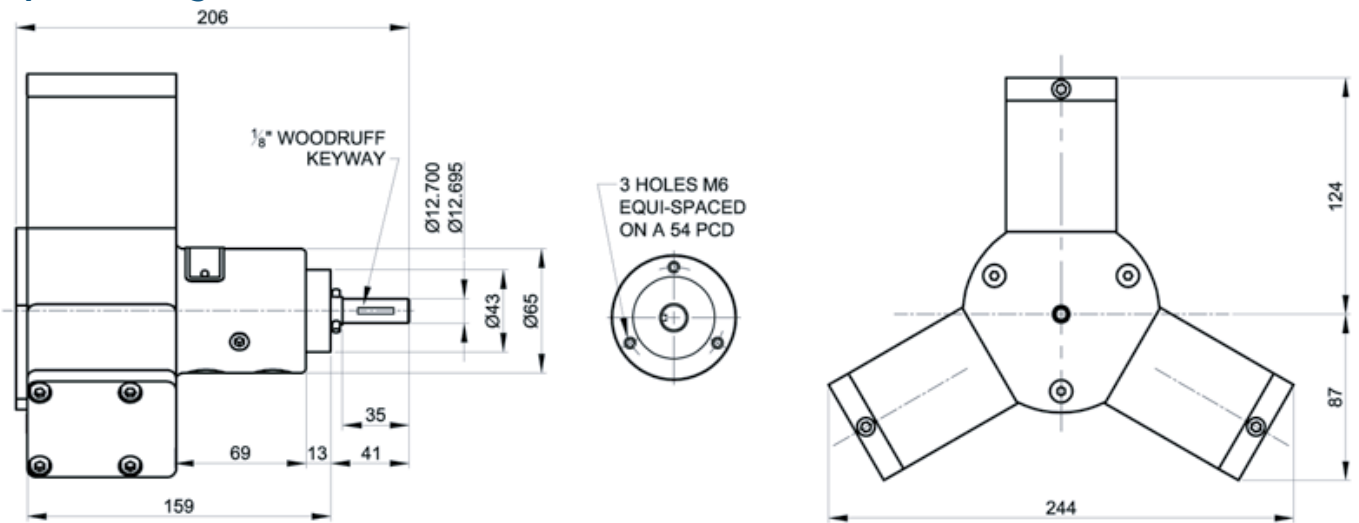
Item Number	Lubrication	Mounting Type
930.75.A	non-lube	Body
930.75.B	non-lube	Base
930.75.C	non-lube	Flange

■ **Non-Lube:** for use with a dry, clean, non-lubricated air supply

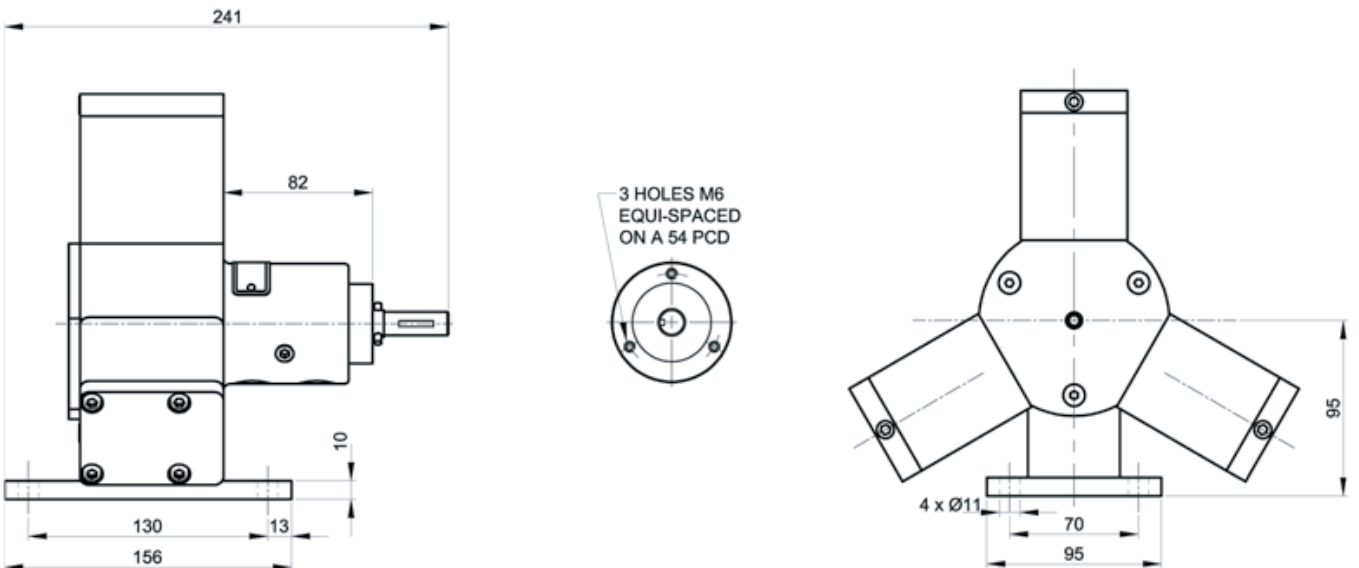


## Mounting Options

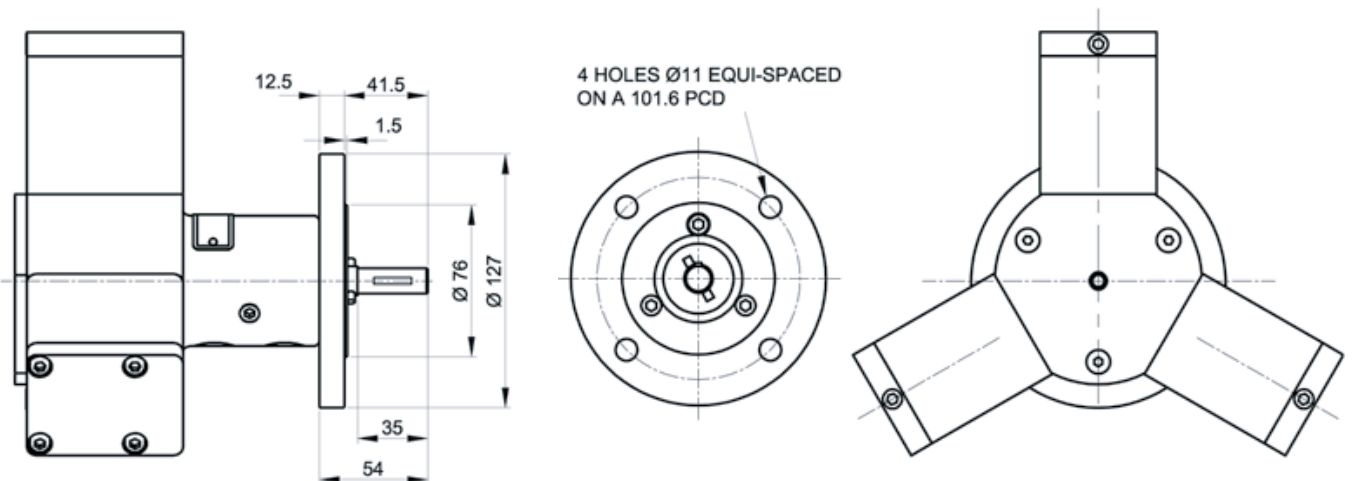
### Body Mounting



### Base Mounting



### Flange Mounting



\*NEMA Flanges available