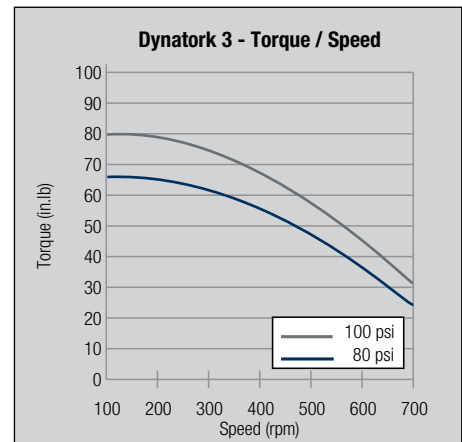
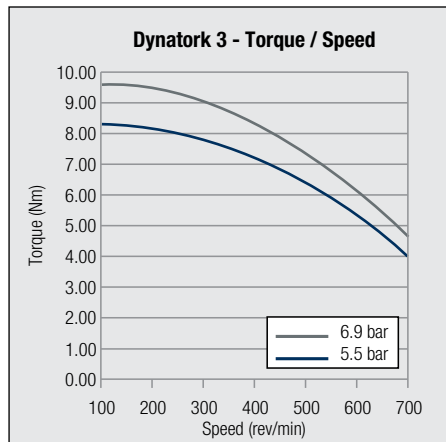
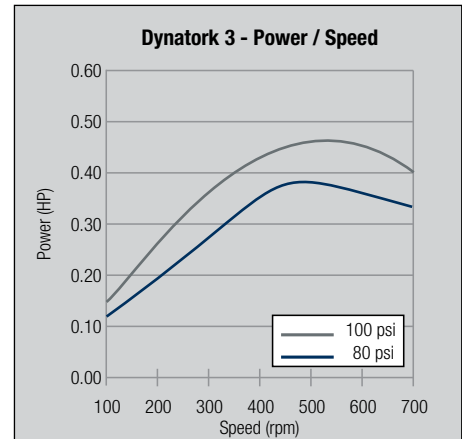
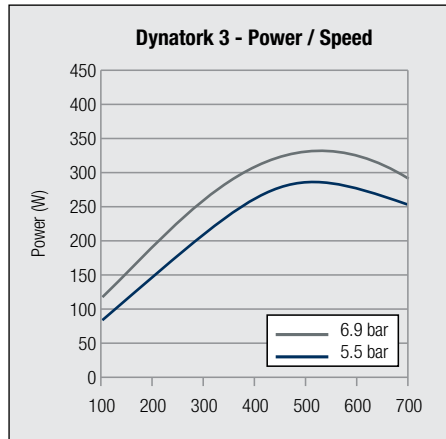


Dynatork 3 Aluminium

| Key Data: Dynatork 3 | Metric | Imperial |
|---------------------------------------|---------------|---------------|
| Speed range | 150 - 700 rpm | 150 - 700 rpm |
| Torque at 200 rpm / 6.9 bar (100 psi) | 9.9 Nm | 87 in.lb |
| Torque at 700 rpm / 6.9 bar (100 psi) | 4.6 Nm | 41 in.lb |
| Max air consumption 700 rpm / 6.9 bar | 21.6 m3/h | 12.7 ft3/min |
| Shaft Diameter | 12.7mm | 0.5" |
| Weight | 3.75 kg | 8.27 lb |
| Ports | 1/4" BSP | 1/4" BSP |

Performance (metric)

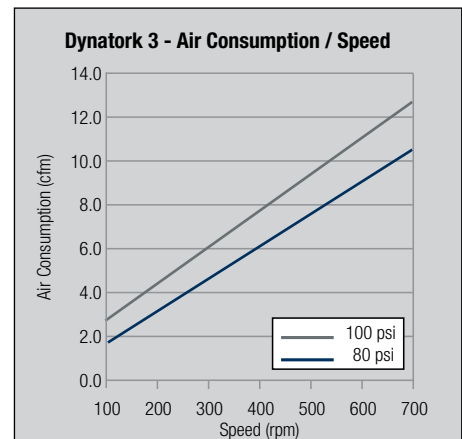
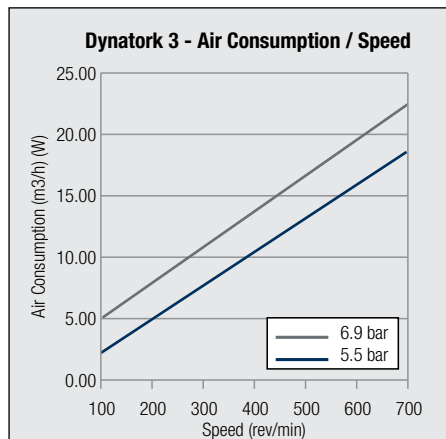
Performance (imperial)



Order Codes : Dynatork 3

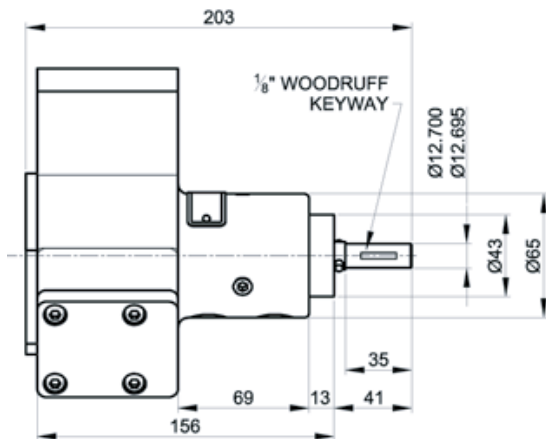
| Item Number | Lubrication | Mounting Type |
|-------------|-------------|---------------|
| 930.35.A | non-lube | Body |
| 930.35.B | non-lube | Base |
| 930.35.C | non-lube | Flange |

■ **Non-Lube:** for use with a dry, clean, non-lubricated air supply

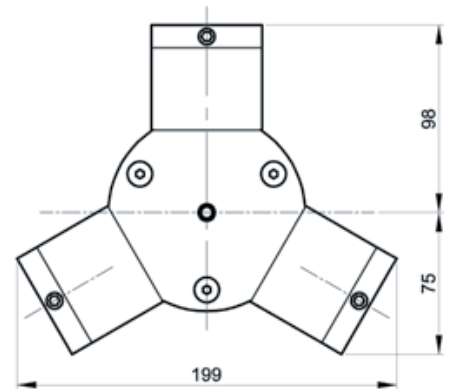


Mounting Options

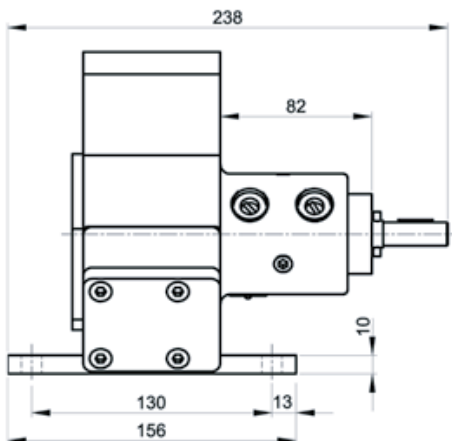
Body Mounting



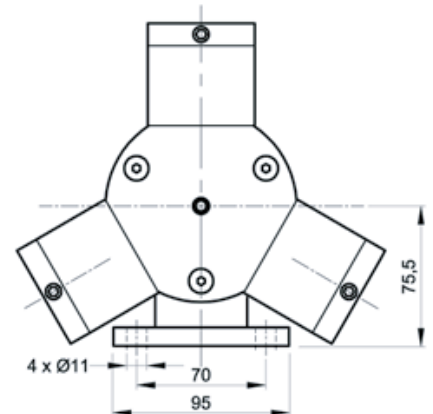
3 HOLES M6
EQUI-SPACED
ON A 54 PCD



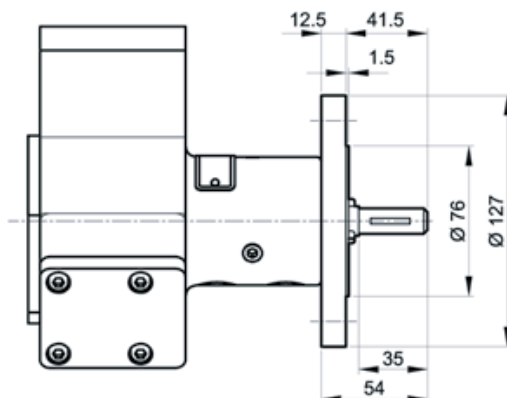
Base Mounting



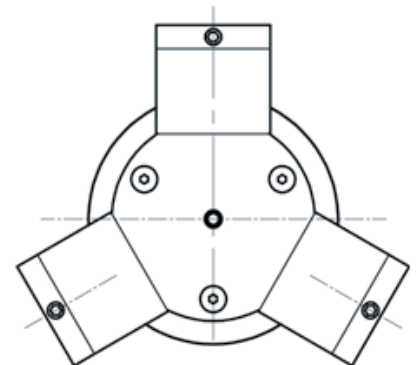
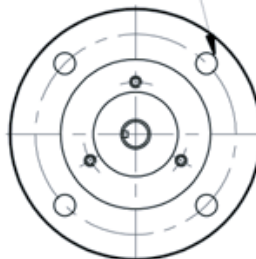
3 HOLES M6
EQUI-SPACED
ON A 54 PCD



Flange Mounting



4 HOLES $\varnothing 11$ EQUI-SPACED
ON A 101,6 PCD



*NEMA Flanges available