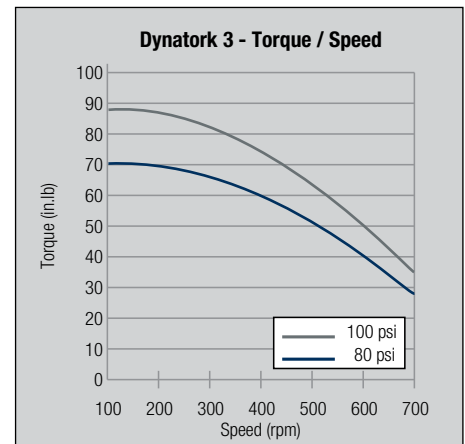
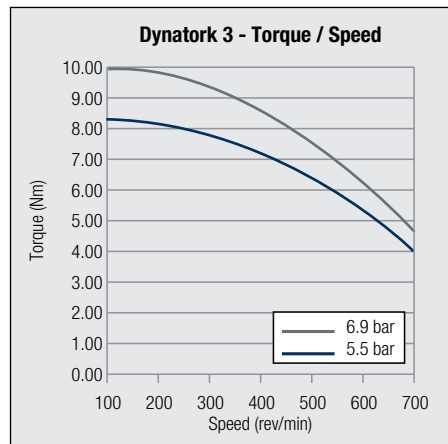
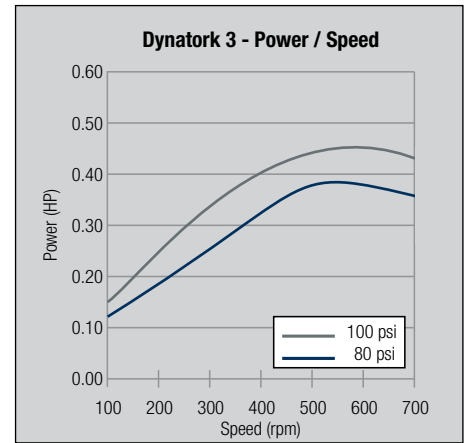
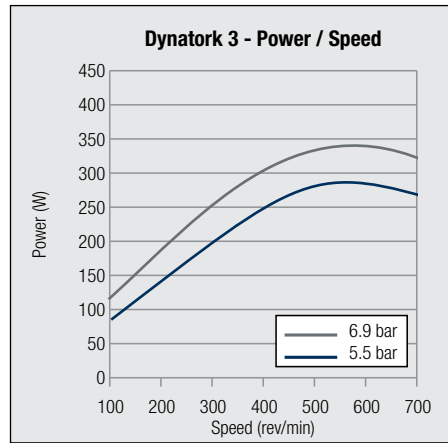


# Dynatork 3 Acetal

Key Data: Dynatork 3 Acetal	Metric	Imperial
Speed range	150 - 700 rpm	150 - 700 rpm
Torque at 200 rpm / 6.9 bar (100 psi)	9.9 Nm	87 in.lb
Torque at 700 rpm / 6.9 bar (100 psi)	4.6 Nm	41 in.lb
Max air consumption 700 rpm / 6.9 bar	21.6 m <sup>3</sup> /h	12.7 ft <sup>3</sup> /min
Shaft Diameter	12.7mm	0.5"
Weight	3.9 kg	8.5 lb
Ports	1/4" BSP	1/4" BSP

## Performance (metric)

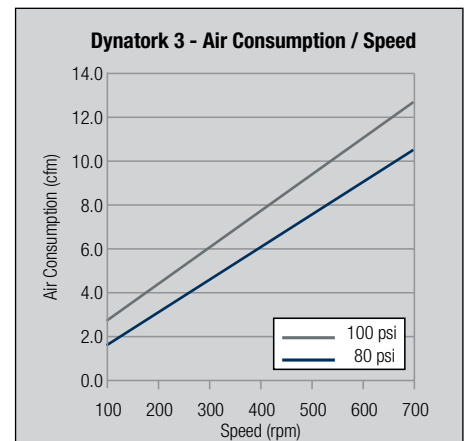
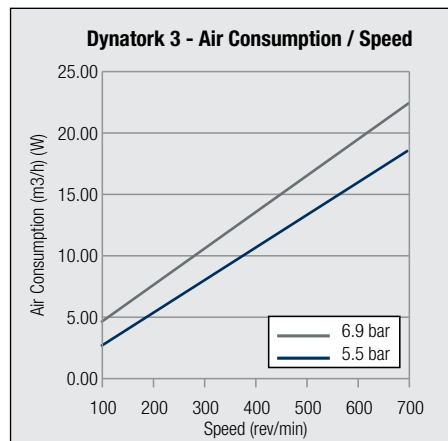
## Performance (imperial)



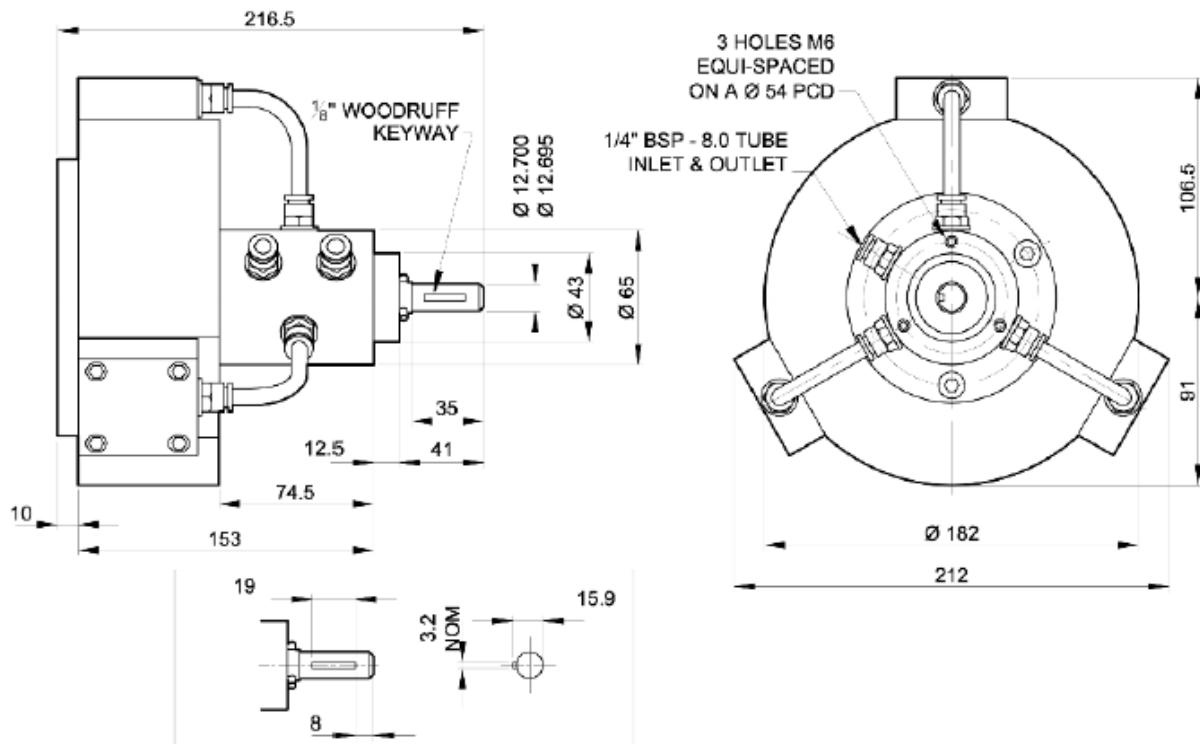
## Order Codes : Dynatork 3 Acetal

Item Number	Lubrication	Mounting Type
910.35.A	non-lube	Body
910.35.C	non-lube	Flange

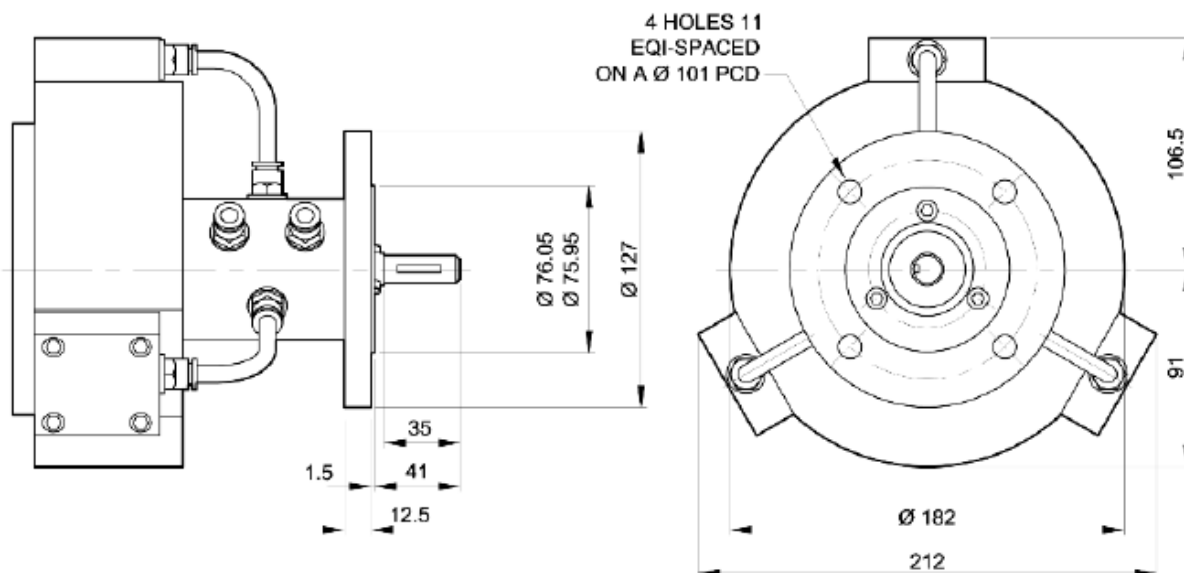
■ **Non-Lube only:** for use with a dry, clean, non-lubricated air supply



### Body Mounting - 910.35.A



### Flange Mounting - 910.35.C



\*NEMA Flanges available